

 PowerProtect+™
Transition & Expansion Couplers

Product Description

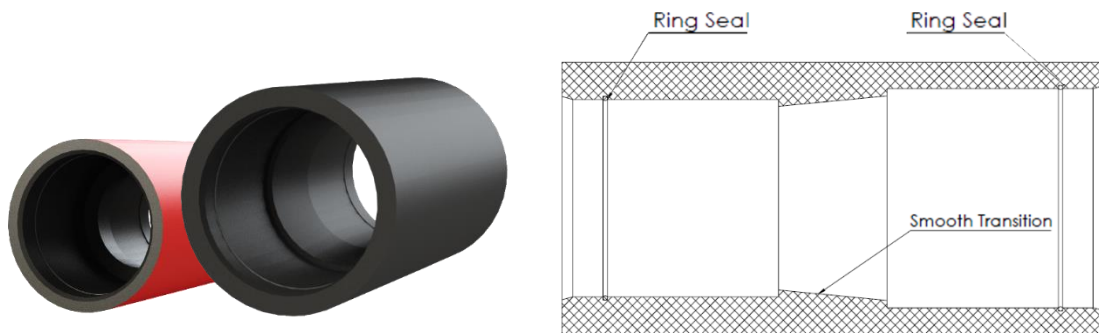
Emtelle Transition/Expansion Couplers are designed, manufactured and supplied within an Integrated Management System, incorporating internationally recognised Standards including ISO 9001:2015, ISO 14001:2015 and ISO 45001:2018.

Application

Transition Couplers are manufactured from a solid wall HDPE pipe, transition provide the means to connect the plain ends of two ducts with differing internal/external diameters.

The couplers are designed to provide a smooth internal transition between the internal diameters of the ducts, to ensure there is no snagging point when cables are installed.

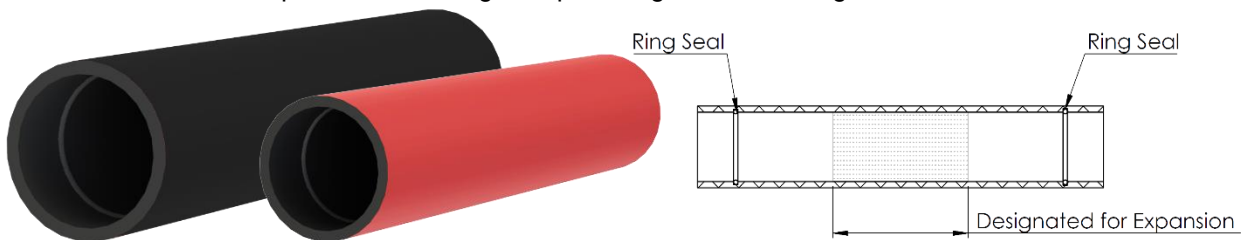
Both ends of the coupler contain a ring seal providing an airtight connection.



Expansion Couplers are manufactured from a solid wall HDPE pipe, expansion couplers provide the means to connect the plain ends of two ducts with the same internal & external diameter

The couplers are used in install scenarios whereby some expansion/contraction is required – for example, over bridge crossings.

Both ends of the coupler contain a ring seal providing a secure, airtight connection.



This document is intended as a guide only. Whilst the information it contains is believed to be correct, Emtelle can take no responsibility for actions taken based on the information contained in this document. Emtelle reserves the right to make changes to this document without notice. All sales of product are subject to Emtelle's terms and conditions of sale only, which can be found on Emtelle's website.
 This document is protected by copyright (c) Emtelle Group [2021]. The products depicted are protected by intellectual property rights. Any unauthorized copying of this document or of our products is prohibited and Emtelle UK Limited will take action to prevent any infringement of its rights and to claim damages for the loss that it suffers.

Material & Technical data

Raw Materials are PE with a 4mm EDPM O-ring seal.

Colours

Standard colours are **Black**

Red skinned is possible but may be subject to increased cost and lead-time.

Standard Dimensions & Product Codes

PVC C1 to PE SDR11	CODE	PVC C1 to PE SDR17	CODE	PVC C1 to PVC C1	CODE	PVC C2 to SDR17	CODE
Ø250mm to Ø250mm	72491	Ø250mm to Ø250mm	72513	Ø250mm to Ø250mm	72535	Ø160mm to Ø160mm	71228
Ø225mm to Ø250mm	72492	Ø225mm to Ø250mm	72514	Ø225mm to Ø250mm	72536	Ø125mm to Ø125mm	71227
Ø200mm to Ø250mm	71910	Ø200mm to Ø250mm	72172	Ø200mm to Ø250mm	72537	-	-
Ø225mm to Ø225mm	72493	Ø225mm to Ø225mm	72515	Ø225mm to Ø225mm	72538	Miscellaneous	CODE
Ø200mm to Ø225mm	71102	Ø200mm to Ø225mm	71909	Ø200mm to Ø225mm	72539	63mm PVC C1 to 125mm SDR9	72753
Ø180mm to Ø225mm	72494	Ø180mm to Ø225mm	72516	Ø180mm to Ø225mm	72540	110 PVC Telecom to 125 SDR11	72787
Ø160mm to Ø225mm	72510	-	-	-	-	-	-
Ø200mm to Ø200mm	72495	Ø200mm to Ø200mm	72517	Ø200mm to Ø200mm	72558	Expansion Couplers	CODE
Ø180mm to Ø200mm	72496	Ø180mm to Ø200mm	72518	Ø180mm to Ø200mm	72542	Ø50mm Expansion Coupler	74079
Ø160mm to Ø200mm	72497	Ø160mm to Ø200mm	72519	Ø160mm to Ø200mm	72460	Ø75mm Expansion Coupler	74080
Ø180mm to Ø180mm	72498	Ø180mm to Ø180mm	72520	Ø180mm to Ø180mm	72543	Ø88.9mm Expansion Coupler	74684
Ø160mm to Ø180mm	71850	Ø160mm to Ø180mm	72521	Ø160mm to Ø180mm	72544	Ø110mm Expansion Coupler	75132
Ø140mm to Ø180mm	72499	Ø140mm to Ø180mm	72522	Ø140mm to Ø180mm	72545	Ø200mm Expansion Coupler	74685
Ø125mm to Ø180mm	72500	-	-	-	-	-	-
Ø110mm to Ø180mm	72501	-	-	-	-	-	-
Ø160mm to Ø160mm	72502	Ø160mm to Ø160mm	72523	Ø160mm to Ø160mm	72546	-	-
Ø140mm to Ø160mm	72503	Ø140mm to Ø160mm	72524	Ø140mm to Ø160mm	72547	-	-
Ø125mm to Ø160mm	72171	Ø125mm to Ø160mm	72525	Ø125mm to Ø160mm	72548	-	-
Ø140mm to Ø140mm	72504	Ø140mm to Ø140mm	72526	Ø140mm to Ø140mm	72549	-	-
Ø125mm to Ø140mm	72505	Ø125mm to Ø140mm	72527	Ø125mm to Ø140mm	72550	-	-
Ø110mm to Ø140mm	72506	Ø110mm to Ø140mm	72528	Ø110mm to Ø140mm	72551	-	-
Ø125mm to Ø125mm	72507	Ø125mm to Ø125mm	72529	Ø125mm to Ø125mm	72552	-	-
Ø110mm to Ø125mm	72332	Ø110mm to Ø125mm	72530	Ø110mm to Ø125mm	72553	-	-
Ø96.5mm to Ø125mm	72508	Ø96.5mm to Ø125mm	72531	Ø96.5mm to Ø125mm	72554	-	-
Ø110mm to Ø110mm	72509	Ø110mm to Ø110mm	72532	Ø110mm to Ø110mm	72555	-	-
Ø110mm to Ø90mm	73591	Ø96.5mm to Ø110mm	72533	Ø96.5mm to Ø110mm	72556	-	-
Ø96.5mm to Ø110mm	72651	Ø88.9mm to Ø110mm	72534	Ø88.9mm to Ø110mm	72557	-	-
Ø88.9mm to Ø125mm	72708	-	-	Ø63mm to Ø90mm	72752	-	-
Ø88.9mm to Ø110mm	71908	-	-	-	-	-	-
Ø63mm to Ø90mm	72652	-	-	-	-	-	-

*Bespoke sizes available upon request. Please get in touch to discuss your requirements

This document is intended as a guide only. Whilst the information it contains is believed to be correct, Emtelle can take no responsibility for actions taken based on the information contained in this document. Emtelle reserves the right to make changes to this document without notice. All sales of product are subject to Emtelle's terms and conditions of sale only, which can be found on Emtelle's website.

This document is protected by copyright (c) Emtelle Group [2021]. The products depicted are protected by intellectual property rights. Any unauthorized copying of this document or of our products is prohibited and Emtelle UK Limited will take action to prevent any infringement of its rights and to claim damages for the loss that it suffers.

Packaging and Labelling

All products suitably packaged in recyclable materials and clearly labelled with Emtelle Product Code and description where possible.

This document is intended as a guide only. Whilst the information it contains is believed to be correct, Emtelle can take no responsibility for actions taken based on the information contained in this document. Emtelle reserves the right to make changes to this document without notice. All sales of product are subject to Emtelle's terms and conditions of sale only, which can be found on Emtelle's website.

This document is protected by copyright (c) Emtelle Group [2021]. The products depicted are protected by intellectual property rights. Any unauthorized copying of this document or of our products is prohibited and Emtelle UK Limited will take action to prevent any infringement of its rights and to claim damages for the loss that it suffers.

www.emtelle.com