

MHT1970

Issue H



Ducting Systems

Product title: Access Chambers/frames & covers- concrete

Product Code: listed in document



Product Description

Suitable for use in footpaths, car parks, grass verges and areas with slow moving traffic including HGV's as designated by their performance limitations. Cover and frames are certified to European Standard Class B125 of BS-EN124 and kite-marked. Covers are suitably designed with manual handling requirements in mind and feature slide out covers with tapered sides to allow covers to be safely removed by one person using the correct lifting key.

Recessed covers and frames are also available.

Design Features

- Slide out cover
- Single person lifting
- Excellent slip resistance rating
- Bespoke badging / locking
- Any size of cover possible
- No inherent scrap value

Material/Technical Specification

Covers are in galvanised steel, factory filled with reinforced, high strength concrete. All steel is hot dip galvanised to EN1461 to offer a life expectancy in excess of 30 years.

Application

Telecoms, Gas, Rail, Electricity, Motorway Communication, Traffic Signalling and Street Lighting.

Testing & Standards

Meets the vertical loading requirements of BS EN124 Class B125 i.e. 125kN (12.5T) and galvanized coating of steel to EN1461.

Health & Safety

Please ensure that when moving or lifting heavy objects, the appropriate lifting machinery or equipment is used.

This document is intended as a guide only. Whilst the information it contains is believed to be correct, Emtelle can take no responsibility for actions taken based on the information contained in this document. Emtelle reserves the right to make changes to this document without notice. All sales of product are subject to Emtelle's terms and conditions of sale only, which can be found on Emtelle's website.

This document is protected by copyright (c) Emtelle UK Limited [2019]. The products depicted are protected by intellectual property rights. Any unauthorized copying of this document or of our products is prohibited and Emtelle UK Limited will take action to prevent any infringement of its rights and to claim damages for the loss that it suffers.

www.emtelle.com

MHT1970

Issue H

Badging, Locking, Packaging and Labelling Instructions

Product codes are listed per table, depending on the badging text.

UNBADGED SIZES DETAILED IN TABLE 1 BELOW (Other sizes available on request)

Emtelle Code	Industry Reference	BS-EN 124 Ref	Clear Opening (mm)	Overall Size (mm)	Frame Depth (mm)	Covers / Set	Badging Option	Kgs / Set	Pallet Qty	Risers Fitted
70352	FW1/EN1	B125	300 x 450		52	1	None		30	NO
5069	EN38	B125	380 x 230	467 X 316	52	1	None	24	30	NO
TBC	EN45	B125	450 x 450	542 X 542	52	1	None	43	25	NO
70365	FW5/EN5	B125	550 x 315		52	1	None		16	NO
4843	FW1/EN1	B125	600 x 450	692 X 542	52	1	None	52	20	NO
70358	FW1/EN1	B125	600 x 450	692 X 542	52	1	None	52	22	YES
9235	FW2/EN2	B125	725 x 255	817 X 347	52	1	None	43	24	NO
9513	EN1730	B125	730 x 460	825 x 556	52	1	None	69	16	NO
4844	FW3/EN3	B125	750 x 600	836 X 686	52	1	None	79	16	NO
70349	EN96	B125	900 x 600		52	1	None		12	NO
70292	EN99	B125	900 x 900	992 X 992	52	2	None	149	5	NO
9053	FW4/EN4	B125	915 x 445	1007 X 537	52	1	None	78	16	NO
5090	FW6/EN6	B125	1310 x 610	1402 x 702	52	2	None	143	10	NO
70672	TBC	B125	1500 x 750		52	2	None	193	5	TBC
70372	FW11/EN11	B125	1705 x 710	1797 X 802	52	3	None	217	5	NO
4776	FW10/EN10	B125	2320 x 740	2412 X 832	52	3	None	295	5	NO

VESSE BADGED SIZES DETAILED IN TABLE 2 BELOW (Other sizes available on request)

Emtelle Code	Industry Reference	BS-EN 124 Ref	Clear Opening (mm)	Overall Size (mm)	Frame Depth (mm)	Covers / Set	Badging Option	Kgs / Set	Pallet Qty	Risers Fitted
4699	FW1/EN1	B125	600 x 450	692 X 542	52	1	Vtesse	52	22	NO
4689	FW3/EN3	B125	750 x 600	836 X 686	52	1	Vtesse	79	16	NO
4690	FW4/EN4	B125	915 x 445	1007 X 537	52	1	Vtesse	78	16	NO
5031	FW6/EN6	B125	1310 x 610	1402 x 702	52	2	Vtesse	143	10	NO

CATV BADGED SIZES DETAILED IN TABLE 3 BELOW (Other sizes available on request)

Emtelle Code	Industry Reference	BS-EN 124 Ref	Clear Opening (mm)	Overall Size (mm)	Frame Depth (mm)	Covers / Set	Badging Option	Kgs / Set	Pallet Qty	Risers Fitted
70386	FW1/EN1	B125	300 x 450		52	1	CATV		30	NO
1419S	EN38	B125	380 x 230	467 X 316	52	1	CATV	24	30	YES
1324S	EN1324	B125	550 x 315	635 x 401	52	1	CATV	40	24	YES
70364	FW5/EN5	B125	550 x 315		52	1	CATV		16	NO
TW1R	ENTW1	B125	560 x 240	626 x 306	52	1	CATV	32	35	YES
70354	FW1/EN1	B125	600 x 450		52	1	CATV		20	NO
TW2R	FW1/EN1	B125	600 x 450	692 X 542	52	1	CATV	52	22	YES
70360	FW2/EN2	B125	725 x 255		52	1	CATV		24	NO
1730S	EN1730	B125	730 x 460	825 x 556	52	1	CATV	69	16	YES
TW4R	EN3	B125	750 x 600	836 X 686	52	1	CATV	79	12	YES
70338	FW3/EN3	B125	750 x 600		52	1	CATV		16	NO
4816	FW4/EN4	B125	915 x 445	1007 X 537	52	1	CATV	78	16	NO
9093	EN4A	B125	915 x 445	1007 X 537	52	1	CATV	78	16	SEE NOTE 1
4582	FW6/EN6	B125	1310 x 610	1402 x 702	52	2	CATV	143	10	NO
70179	FW11/EN11	B125	1705 x 710	1797 X 802	52	3	CATV	217	5	NO
4776A	FW10/EN10	B125	2320 x 740	2412 x 832	52	3	CATV	295	5	NO

NOTE 1: dimensions of the rising frame must be 895 x 445mm to ensure that the frame fits inside the 900 x 450mm clear opening chamber.

This document is intended as a guide only. Whilst the information it contains is believed to be correct, Emtelle can take no responsibility for actions taken based on the information contained in this document. Emtelle reserves the right to make changes to this document without notice. All sales of product are subject to Emtelle's terms and conditions of sale only, which can be found on Emtelle's website.

This document is protected by copyright (c) Emtelle UK Limited [2019]. The products depicted are protected by intellectual property rights. Any unauthorized copying of this document or of our products is prohibited and Emtelle UK Limited will take action to prevent any infringement of its rights and to claim damages for the loss that it suffers.

www.emtelle.com

MHT1970

Issue H

NTL BADGED SIZES DETAILED IN TABLE 4 BELOW (Other sizes available on request)

Emtelle Code	Industry Reference	BS-EN 124 Ref	Clear Opening (mm)	Overall Size (mm)	Frame Depth (mm)	Covers / Set	Badging Option	Kgs / Set	Pallet Qty	Risers Fitted
4620	EN38	B125	380 x 230	467 X 316	52	1	NTL	24	30	NO
4619	EN1324	B125	550 x 315	635 x 401	52	1	NTL	40	24	NO
4720	FW1/EN1	B125	600 x 450	692 X 542	52	1	NTL	52	22	NO
4731	EN1730	B125	730 x 460	825 x 556	52	1	NTL	69	16	NO
4721	FW3/EN3	B125	750 x 600	836 X 686	52	1	NTL	79	16	NO
4867	FW4/EN4	B125	915 x 445	1007 X 537	52	1	NTL	78	16	NO
4825	FW6/EN6	B125	1310 x 610	1402 x 702	52	2	NTL	143	10	NO
4776B	FW10/EN10	B125	2320 x 740	2412 x 832	52	3	NTL	295	5	NO

TELEWEST BADGED SIZES DETAILED IN TABLE 5 BELOW (Other sizes available on request)

Emtelle Code	Industry Reference	BS-EN 124 Ref	Clear Opening (mm)	Overall Size (mm)	Frame Depth (mm)	Covers / Set	Badging Option	Kgs / Set	Pallet Qty	Risers Fitted
4811	ENTW1	B125	560 x 240	626 x 306	52	1	Telewest	32	35	YES
4812	EN1324	B125	550 x 315	635 x 401	52	1	Telewest	40	24	NO
TBC	FW1/EN1	B125	600 x 450	692 X 542	52	1	Telewest	52	22	NO
5114	EN1730	B125	730 x 460	825 x 556	52	1	Telewest	69	16	NO
TBC	FW3/EN3	B125	750 x 600	836 X 686	52	1	Telewest	79	16	NO
4813	FW4/EN4	B125	915 x 445	1007 X 537	52	1	Telewest	78	16	NO
4814	FW6/EN6	B125	1310 x 610	1402 x 702	52	2	Telewest	143	10	NO
TBC	FW10/EN10	B125	2320 x 740	2412 x 832	52	3	Telewest	295	5	NO

EASYNET BADGED SIZES DETAILED IN TABLE 6 BELOW (Other sizes available on request)

Emtelle Code	Industry Reference	BS-EN 124 Ref	Clear Opening (mm)	Overall Size (mm)	Frame Depth (mm)	Covers / Set	Badging Option	Kgs / Set	Pallet Qty	Risers Fitted
9057	FW6/EN6	B125	1310 x 610	1402 X 702	52	2	Easynet	143	10	NO
9094	FW4/EN4	B125	915 x 445	1007 X 537	52	1	Easynet	78	16	NO

CCTV BADGED SIZES DETAILED IN TABLE 7 BELOW (Other sizes available on request)

Emtelle Code	Industry Reference	BS-EN 124 Ref	Clear Opening (mm)	Overall Size (mm)	Frame Depth (mm)	Covers / Set	Badging Option	Kgs / Set	Pallet Qty	Risers Fitted
5181	FW1/EN1	B125	600 x 450	692 X 542	52	1	CCTV	52	20	NO

CONLINET BADGED SIZES DETAILED IN TABLE 7 BELOW (Other sizes available on request)

Emtelle Code	Industry Reference	BS-EN 124 Ref	Clear Opening (mm)	Overall Size (mm)	Frame Depth (mm)	Covers / Set	Badging Option	Kgs / Set	Pallet Qty	Risers Fitted
70674	TBC	B125	1500 x 750		52	2	CONLINET	193	5	TBC

This document is intended as a guide only. Whilst the information it contains is believed to be correct, Emtelle can take no responsibility for actions taken based on the information contained in this document. Emtelle reserves the right to make changes to this document without notice. All sales of product are subject to Emtelle's terms and conditions of sale only, which can be found on Emtelle's website.

This document is protected by copyright (c) Emtelle UK Limited [2019]. The products depicted are protected by intellectual property rights. Any unauthorized copying of this document or of our products is prohibited and Emtelle UK Limited will take action to prevent any infringement of its rights and to claim damages for the loss that it suffers.

MHT1970

Issue H

CABLE & WIRELESS BADGED SIZES DETAILED IN TABLE 8 BELOW (Other sizes available on request)

Emtelle Code	Industry Reference	BS-EN 124 Ref	Clear Opening (mm)	Overall Size (mm)	Frame Depth (mm)	Covers / Set	Badging Option	Kgs / Set	Pallet Qty	Risers Fitted
70350	FW1/EN1	B125	300 x 450		52	1	C&W		30	NO
70347	1419	B125	380 x 230	467 X 316	52	1	C&W		30	YES
70346	1324	B125	550 x 315	635 x 401	52	1	C&W		24	YES
70363	FW5/EN5	B125	550 x 315	635 x 401	52	1	C&W		16	NO
70373	TW1	B125	560 x 260		52	1	C&W		35	YES
70356	FW1/EN1	B125	600 x 450	692 X 542	52	1	C&W		22	YES
70353	FW1/EN1	B125	600 x 450	692 X 542	52	1	C&W		22	NO
9537	FW5/EN5	B125	610 x 610	702 X 702	52	1	C&W	73	16	NO
70359	FW2/EN2	B125	725 x 255		52	1	C&W		24	NO
70348	1730	B125	730 x 460	825 x 556	52	1	C&W		16	YES
70361	FW3/EN3	B125	750 x 600	836 X 686	52	1	C&W		16	NO
4678	FW4/EN4	B125	915 x 445	1007 X 537	52	1	C&W	78	16	NO
9563	FW6/EN6	B125	1310 x 610	1402 X 702	52	2	C&W	143	10	NO
9562/ 70370	FW11/EN11	B125	1705 x 710	1797 X 802	52	3	C&W	217	5	NO
70368	FW10/EN10	B125	2320 x 740	2412 X 832	52	3	C&W	295	5	NO

VERIZON BADGED SIZES DETAILED IN TABLE 9 BELOW (Other sizes available on request)

Emtelle Code	Industry Reference	BS-EN 124 Ref	Clear Opening (mm)	Overall Size (mm)	Frame Depth (mm)	Covers / Set	Badging Option	Kgs / Set	Pallet Qty	Risers Fitted
9136	FW4/EN4	B125	915 x 445	1007 x 537	52	1	Verizon	80	16	NO
4745	FW6/EN6	B125	1310 x 610	1402 X 702	52	2	Verizon	143	10	NO

GEO BADGED SIZES DETAILED IN TABLE 10 BELOW (Other sizes available on request)

Emtelle Code	Industry Reference	BS-EN 124 Ref	Clear Opening (mm)	Overall Size (mm)	Frame Depth (mm)	Covers / Set	Badging Option	Kgs / Set	Pallet Qty	Risers Fitted
9120	FW2/EN2	B125	725 x 255	817 x 347	52mm	1	GEO	43	24	NO
9116	FW4/EN4	B125	915 x 445	1007 x 537	52mm	1	GEO	78	16	NO
70366	FW6/EN6	B125	1310 x 610	1400 x700	52mm	2	GEO	143	10	NO

UoR BADGED SIZES DETAILED IN TABLE 11 BELOW (Other sizes available on request)

Emtelle Code	Industry Reference	BS-EN 124 Ref	Clear Opening (mm)	Overall Size (mm)	Frame Depth (mm)	Covers / Set	Badging Option	Kgs / Set	Pallet Qty	Risers Fitted
9201	FW4/EN4	B125	915 x 445	1007x 537	52mm	1	UoR	78	16	NO
9202	FW6/EN6	B125	1310 x 610	1400x700	52mm	2	UoR	143	10	NO

ABOVENET BADGED SIZES DETAILED IN TABLE 12 BELOW (other sizes available on request)

Emtelle Code	Industry Reference	BS-EN 124 Ref	Clear Opening (mm)	Overall Size (mm)	Frame Depth (mm)	Covers / Set	Badging Option	Kgs / Set	Pallet Qty	Risers Fitted
9258	FW6/EN6	B125	1310 x 610	1402 X 702	52	2	Abovenet	143	10	NO

SSE BADGED SIZES DETAILED IN TABLE 13 BELOW (other sizes available on request)

Emtelle Code	Industry Reference	BS-EN 124 Ref	Clear Opening (mm)	Overall Size (mm)	Frame Depth (mm)	Covers / Set	Badging Option	Kgs / Set	Pallet Qty	Risers Fitted
9308	FW6/EN6	B125	1310 x 610	1402 X 702	52	2	SSE	143	10	NO
9540	FW4/EN4	B125	915 x 445	1007 x 537	52	1	SSE	78	16	NO

This document is intended as a guide only. Whilst the information it contains is believed to be correct, Emtelle can take no responsibility for actions taken based on the information contained in this document. Emtelle reserves the right to make changes to this document without notice. All sales of product are subject to Emtelle's terms and conditions of sale only, which can be found on Emtelle's website.

This document is protected by copyright (c) Emtelle UK Limited [2019]. The products depicted are protected by intellectual property rights. Any unauthorized copying of this document or of our products is prohibited and Emtelle UK Limited will take action to prevent any infringement of its rights and to claim damages for the loss that it suffers.

MHT1970

Issue H

THUS BADGED SIZES DETAILED IN TABLE 14 BELOW (Other sizes available on request)

Emtelle Code	Industry Reference	BS-EN 124 Ref	Clear Opening (mm)	Overall Size (mm)	Frame Depth (mm)	Covers / Set	Badging Option	Kgs / Set	Pallet Qty	Risers Fitted
9458	FW6/EN6	B125	1310 x 610	1402 x 702	52mm	2	THUS	143	10	NO
9459	FW10/EN10	B125	2320 x 740	2412 x 832	52mm	3	THUS	295	5	NO
9534	FW4/EN4	B125	915X445	1007X537	52mm	1	THUS	78	16	NO

METROMEDIA BADGED SIZES DETAILED IN TABLE 15 BELOW (Other sizes available on request)

Emtelle Code	Industry Reference	BS-EN 124 Ref	Clear Opening (mm)	Overall Size (mm)	Frame Depth (mm)	Covers / Set	Badging Option	Kgs / Set	Pallet Qty	Risers Fitted
TBC	FW4/EN4	B125	915X445	1007X537	52mm	1	METROME DIA	78	16	NO
TBC	FW6/EN6	B125	1310 x 610	1402 x 702	52mm	2	METROME DIA	143	10	NO

SURF BADGED SIZES DETAILED IN TABLE 14 BELOW (Other sizes available on request)

Emtelle Code	Industry Reference	BS-EN 124 Ref	Clear Opening (mm)	Overall Size (mm)	Frame Depth (mm)	Covers / Set	Badging Option	Kgs / Set	Pallet Qty	Risers Fitted
70462	FW6/EN6	B125	1310 x 610	1402 x 702	52mm	2	SURF	143	10	NO
70461	FW11/EN11	B125	1705 x 710	1797 X 802	52	3	SURF	217	5	NO
70611	FW4/EN4	B125	915X445	1007X537	52mm	1	SURF	78	16	NO

COLT BADGED SIZES DETAILED IN TABLE 14 BELOW (Other sizes available on request)

Emtelle Code	Industry Reference	BS-EN 124 Ref	Clear Opening (mm)	Overall Size (mm)	Frame Depth (mm)	Covers / Set	Badging Option	Kgs / Set	Pallet Qty	Risers Fitted
5017	FW6/EN6	B125	1310 x 610	1402 x 702	52mm	2	COLT	143	10	NO
5018	FW4/EN4	B125	915X445	1007X537	52mm	1	COLT	78	16	NO

NEOS BADGED SIZES DETAILED IN TABLE 14 BELOW (Other sizes available on request)

Emtelle Code	Industry Reference	BS-EN 124 Ref	Clear Opening (mm)	Overall Size (mm)	Frame Depth (mm)	Covers / Set	Badging Option	Kgs / Set	Pallet Qty	Risers Fitted
5038	FW6/EN6	B125	1310 x 610	1402 x 702	52mm	2	NEOS	143	10	NO

KCL (KCOM) BADGED SIZES DETAILED IN TABLE 8 BELOW (Other sizes available on request)

Emtelle Code	Industry Reference	BS-EN 124 Ref	Clear Opening (mm)	Overall Size (mm)	Frame Depth (mm)	Covers / Set	Badging Option	Kgs / Set	Pallet Qty	Risers Fitted
70351	FW1/EN1	B125	300 x 450		52	1	KCL (KCOM)		30	NO
70357	FW1/EN1	B125	600 x 450	692 X 542	52	1	KCL (KCOM)		22	YES
70355	FW1/EN1	B125	600 x 450	692 X 542	52	1	KCL (KCOM)		22	NO
70362	FW4/EN4	B125	915 x 445	1007 X 537	52	1	KCL (KCOM)	78	16	NO
70367	FW6/EN6	B125	1310 x 610	1402 X 702	52	2	KCL (KCOM)	143	10	NO
70369	FW10/EN10	B125	2320 x 740	2412 X 832	52	3	KCL (KCOM)	295	5	NO

This document is intended as a guide only. Whilst the information it contains is believed to be correct, Emtelle can take no responsibility for actions taken based on the information contained in this document. Emtelle reserves the right to make changes to this document without notice. All sales of product are subject to Emtelle's terms and conditions of sale only, which can be found on Emtelle's website.

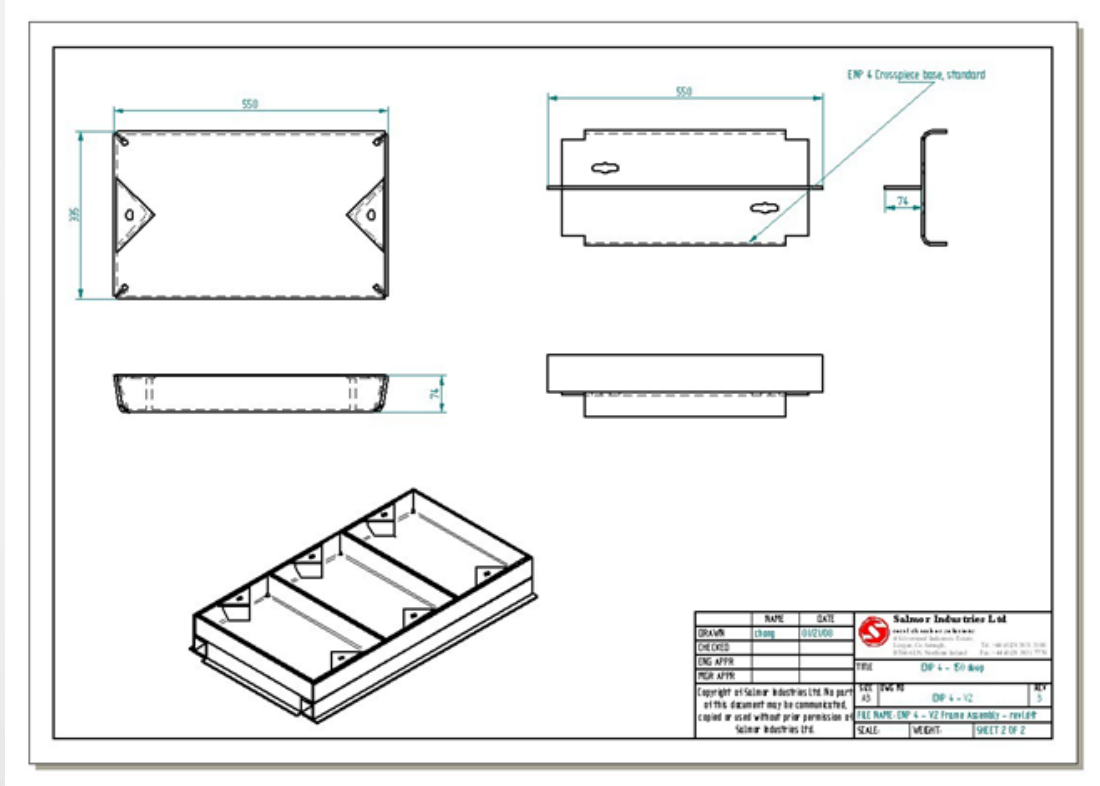
This document is protected by copyright (c) Emtelle UK Limited [2019]. The products depicted are protected by intellectual property rights. Any unauthorized copying of this document or of our products is prohibited and Emtelle UK Limited will take action to prevent any infringement of its rights and to claim damages for the loss that it suffers.

MHT1970

Issue H

Recessed Covers

These products are designed for pedestrian area's where it can be filled with the original paving stones.



Emtelle Code	Supplier Code	Clear Opening	Covers per set (B125)	No per pallet	Cover weight	Total Weight/Pallet (kg)
TBC	ENP7	300 x 300	1	5	27	135
TBC	ENP45	450 x 450	1	5	41	205
TBC	ENP1	600 x 450	1	5	48	240
TBC	ENP5	610 X 610	2	5	76	380
TBC	ENP2	725 X 255	1	5	47	235
70954	ENP4	915 X 445	3	5	94	470
9325	ENP6	1310 X 610	4	5	158	790
TBC	ENP10	2285 X 710	6	5	287	1435
TBC	ENPJC1	960 X 610	3	5	119	595

Change Documentation

Issue	Release Date:	Update
Issue E	08-04-2010	Update Format
Issue F	20-05-2010	Added Recessed Covers
Issue G	14-02-2011	Added Product Codes
Issue H	21-11-2019	Updated background

This document is intended as a guide only. Whilst the information it contains is believed to be correct, Emtelle can take no responsibility for actions taken based on the information contained in this document. Emtelle reserves the right to make changes to this document without notice. All sales of product are subject to Emtelle's terms and conditions of sale only, which can be found on Emtelle's website.

This document is protected by copyright (c) Emtelle UK Limited [2019]. The products depicted are protected by intellectual property rights. Any unauthorized copying of this document or of our products is prohibited and Emtelle UK Limited will take action to prevent any infringement of its rights and to claim damages for the loss that it suffers.

www.emtelle.com