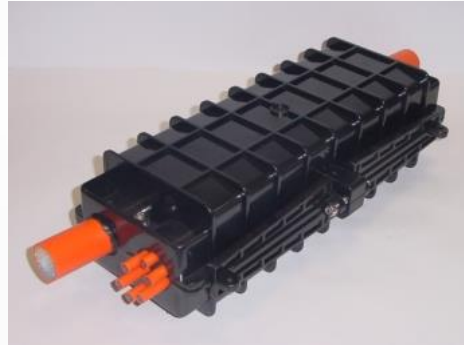




CL01 Drop closure



Product Description

A microduct drop closure capable of dropping up to 6 x 10mm single microduct products. The microduct drops pass through a specially shaped rubber 6 way inlet fitting which assists in clamping of the microduct.

This unit has been designed to be easily installed and is suitable for re-entry.

Application

Dropping up to a maximum of 6 x 10mm direct buried microducts for use in a fibreflow solution

Material & Technical data

Materials:	Plastic Parts Screws & Clips Clamping Plate	PC (Polycarbonate Colour Black) Stainless Steel Powder coated mild steel
Dimensions (mm):		Outside: 405 x 155 x 125 (L x W x H) Inside: 325 x 123 x 100
Weight:		Approx.2.4kg (including packaging)
Port Diameter:		40mm (x4)
Temperature Range:		-40°C to +60°C
Classification:		IP68 (to be tested after modifications)
Minimum Pullout Strength		450N, Drop microducts 45N (to be tested after modifications)
Impact:		>20Joules

This document is intended as a guide only. Whilst the information it contains is believed to be correct, Emtelle can take no responsibility for actions taken based on the information contained in this document. Emtelle reserves the right to make changes to this document without notice. All sales of product are subject to Emtelle's terms and conditions of sale only, which can be found on Emtelle's website.

This document is protected by copyright (c) Emtelle Group [2019]. The products depicted are protected by intellectual property rights. Any unauthorized copying of this document or of our products is prohibited and Emtelle UK Limited will take action to prevent any infringement of its rights and to claim damages for the loss that it suffers.

Parts List

Common Parts

Main

1 x Upper Shell complete with locking screws and nuts.....(A)
 4 x Wedge Clamps with two wedge closing cap screws(B)

Sealant

2 strips of edge sealing mastic tape (C)
 3 rolls of port sealing mastic tape..... (D)

Tools

Hexagonal key..... (E)



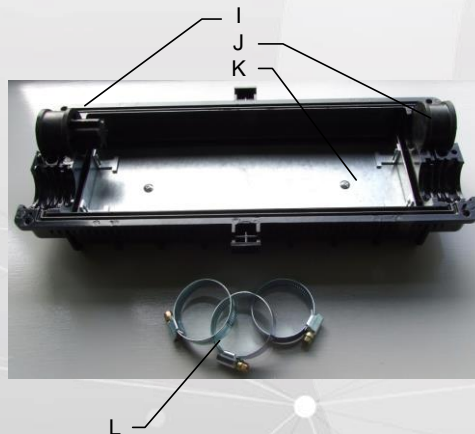
1x Baseplate and Lower Shell

Baseplate (metal, natural) with 4 adjustable height cable clamps, fitted to lower shell (K)

1x rubber 6-way grommet designed for 1-Way DB products (10mm outer diameter) (I)

1 x Rubber port blanking seals (J)

3x Stainless Steel Hose Clips to suit duct diameter in the range 35mm – 40mm and to suit clamping six 1-way DB products (each 10mm outer diameter) (L)



Note: baseplate is fitted in a lowered position

Packaging and Labelling

All products suitably packaged in recyclable materials and clearly labelled with Emtelle Product Code and Description where possible.

This document is intended as a guide only. Whilst the information it contains is believed to be correct, Emtelle can take no responsibility for actions taken based on the information contained in this document. Emtelle reserves the right to make changes to this document without notice. All sales of product are subject to Emtelle's terms and conditions of sale only, which can be found on Emtelle's website.

This document is protected by copyright (c) Emtelle Group [2019]. The products depicted are protected by intellectual property rights. Any unauthorized copying of this document or of our products is prohibited and Emtelle UK Limited will take action to prevent any infringement of its rights and to claim damages for the loss that it suffers.