

## UK\_DS\_Boundary\_Access\_Box


**FibreFlow™**  
**Boundary Access Box 1800kg**


### Product Description

A robust plastic boundary access box with superior load bearing capacity. Designed as a small access point (Handhole) to feeder and distribution infrastructure. Allowing engineers enough room to facilitate a small fibre optical drop / access enclosure or cable slack.

### Design Features

- ⊗ Large removable tethered lid for ease of access into the chamber.
- ⊗ Lockable lid hinge with universal key. (Features a dust cap as well)
- ⊗ Mechanically tested for in accordance with SANS554:2016 (Load Bearing 1800kg)
- ⊗ Split port construction for retro fitment onto existing services. (8mm to 50mm ports)
- ⊗ Drainage hole provided in base.
- ⊗ Drainage lid channel to divert water away from the chamber.
- ⊗ Customizable lid colours and branding plate 70 x 30 mm space available.

### Application Notes

Designed to be installed next to the access point (customer entry) in the verge or on the sidewalk. This compact handhole design can accommodate small fibre optic drop / distribution enclosures as well as some cable slack.

### Specifications

#### DIMENSIONS

Top Footprint	190mm (L) x 190mm (B)
Base Footprint	330mm (L) x 330mm (B)
Height (Depth)	300mm

#### ENTRIES

Main Entry Ports	4	Port Cap Range	Blank 32mm 40mm 50mm
		Split Port Cap Range	32mm - 50mm
Supplementary Ports	4	Port Knock-Out Range	8.0mm - 20.0mm

This document is intended as a guide only. Whilst the information it contains is believed to be correct, Emtelle can take no responsibility for actions taken based on the information contained in this document. Emtelle reserves the right to make changes to this document without notice. Purchase of Emtelle products does not convey any licence under patents or other intellectual property rights owned by third parties. All sales of product are subject to Emtelle's terms and conditions of sale only, which can be found on Emtelle's website. This document is protected by copyright (c) Emtelle Group [2022]. The products depicted are protected by intellectual property rights. Any unauthorized copying of this document or of our products is prohibited and Emtelle UK Limited will take action to prevent any infringement of its rights and to claim damages for the loss that it suffers. [www.emtelle.com](http://www.emtelle.com)

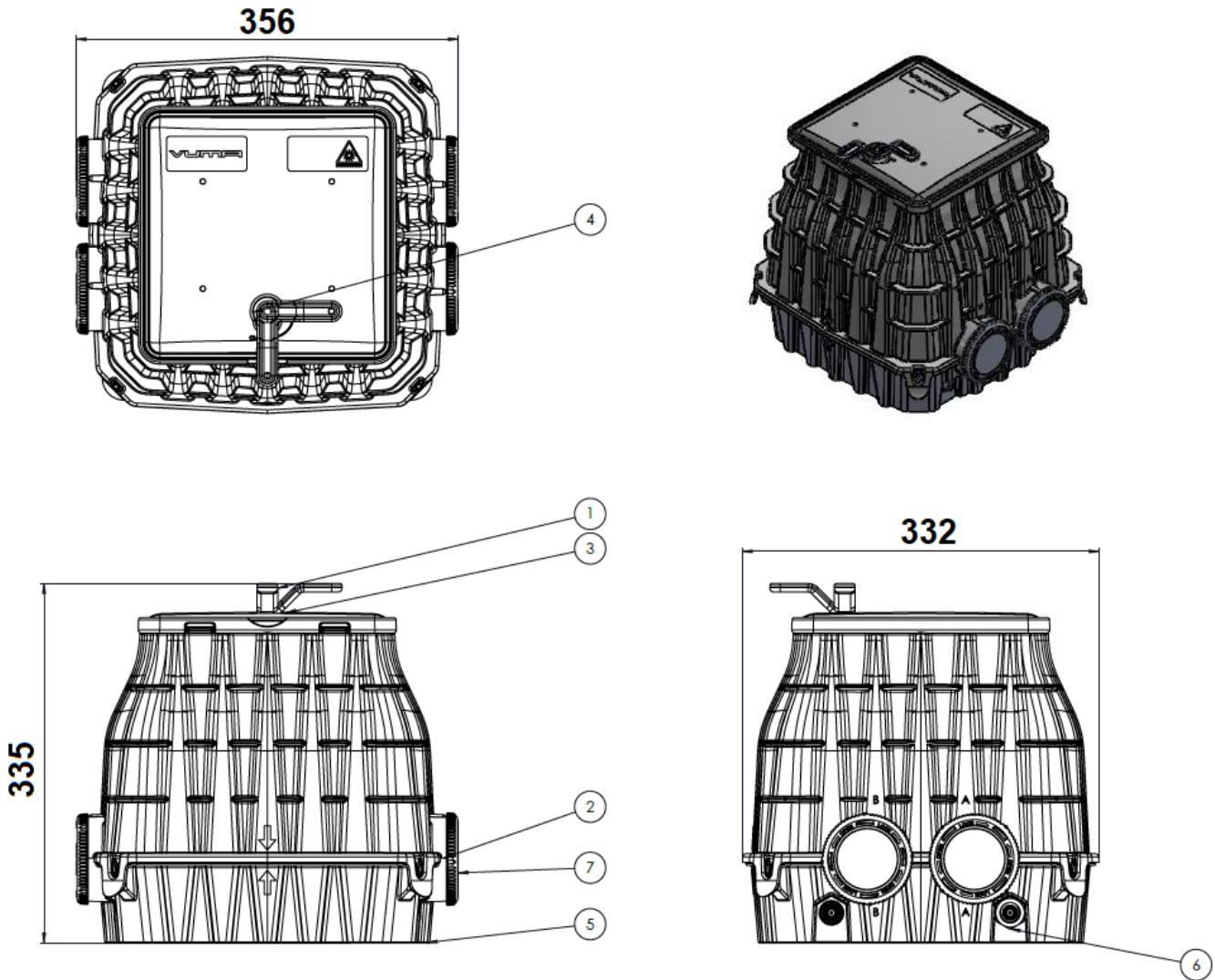
## UK\_DS\_Boundary\_Access\_Box

### MATERIAL

Product PP80 Cal 20, UV Stabilized

### LOAD TESTING

Load Bearing Load bearing strength 1 800kg (Load testing achieved in test environment)



### Standard content:

No	Qty	Description
1	1	Mechanical Lock
2	1	Access Box Top
3	1	Access Box Lid
4	1	Dust Cap
5	1	Access Box Base
6	4	Supplementary Ports
7	4	Main Entry Port Caps

This document is intended as a guide only. Whilst the information it contains is believed to be correct, Emtelle can take no responsibility for actions taken based on the information contained in this document. Emtelle reserves the right to make changes to this document without notice. Purchase of Emtelle products does not convey any licence under patents or other intellectual property rights owned by third parties. All sales of product are subject to Emtelle's terms and conditions of sale only, which can be found on Emtelle's website. This document is protected by copyright (c) Emtelle Group [2022]. The products depicted are protected by intellectual property rights. Any unauthorized copying of this document or of our products is prohibited and Emtelle UK Limited will take action to prevent any infringement of its rights and to claim damages for the loss that it suffers. [www.emtelle.com](http://www.emtelle.com)

## UK\_DS\_Boundary\_Access\_Box



### Extra options:

No	Description
A	Universal Key
B	Split Port Cap

## Packaging and Labelling

All products suitably packaged in recyclable materials and clearly labelled with Emtelle Product Code and Description where possible.

## END OF SPECIFICATION

This document is intended as a guide only. Whilst the information it contains is believed to be correct, Emtelle can take no responsibility for actions taken based on the information contained in this document. Emtelle reserves the right to make changes to this document without notice. Purchase of Emtelle products does not convey any licence under patents or other intellectual property rights owned by third parties. All sales of product are subject to Emtelle's terms and conditions of sale only, which can be found on Emtelle's website. This document is protected by copyright (c) Emtelle Group [2022]. The products depicted are protected by intellectual property rights. Any unauthorized copying of this document or of our products is prohibited and Emtelle UK Limited will take action to prevent any infringement of its rights and to claim damages for the loss that it suffers. [www.emtelle.com](http://www.emtelle.com)