



## FibreFlow BUDI-2S-SP-



### Product Description

---

BUDI fibre Optic Wall mount Enclosure, single element FIST splice trays for SMOUV splices

### Application

---

Compact, wall mountable fibre enclosures for indoor and outdoor use.

### Features

---

- Specifically designed for fast FTTH deployment and easy customer connection
- Available with splicing (FIST) and/or patching and/or splitter combinations
- Multiple and modular cable port sealing options using gel technology

### General Specification

---

<b>Functionality:</b>	Splicing
<b>Access:</b>	Front
<b>Enclosure Colour:</b>	Grey
<b>Front Cover Type:</b>	Snap-on cover
<b>Mounting:</b>	Wall
<b>Splice Tray Construction:</b>	SE (Single Element)
<b>Splicing Capacity, maximum:</b>	See table

This document is intended as a guide only. Whilst the information it contains is believed to be correct, Emtelle can take no responsibility for actions taken based on the information contained in this document. Emtelle reserves the right to make changes to this document without notice. All sales of product are subject to Emtelle's terms and conditions of sale only, which can be found on Emtelle's website.

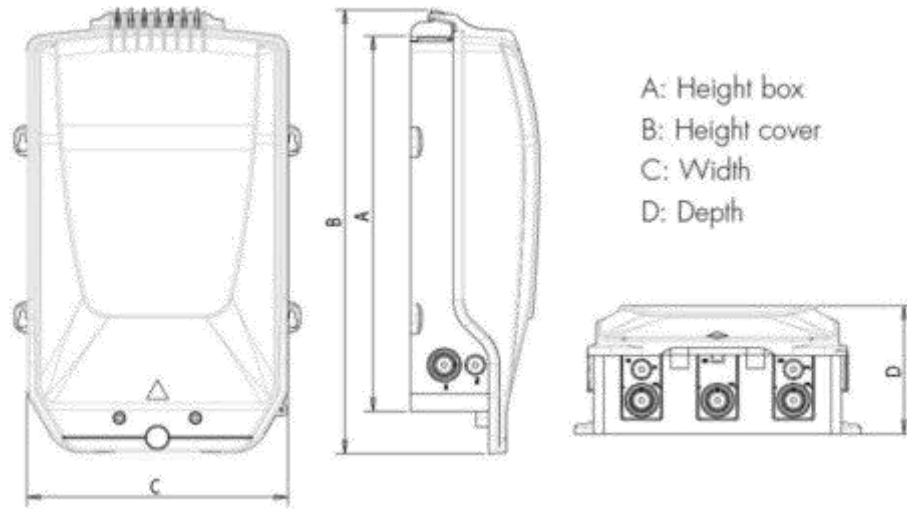
This document is protected by copyright (c) Emtelle Group [2021]. The products depicted are protected by intellectual property rights. Any unauthorized copying of this document or of our products is prohibited and Emtelle UK Limited will take action to prevent any infringement of its rights and to claim damages for the loss that it suffers.

[www.emtelle.com](http://www.emtelle.com)

# UK DS BUDI-2S-SP

## Dimensions

**Height:** 260mm  
**Height, with cover:** 285mm  
**Width:** 155mm  
**Depth:** 60mm



**Material Specification:** LSZH thermoplastic

## Environmental Specifications

**Environmental Space:** Outdoor and Indoor  
**Qualification Standards:** IEC 60529, IP54 | IEC61753-1, category G

## Product Code

Product Code	Description	Splice capacity
TBC	BUDI-2S-SP-12ES	12F
75606	BUDI-2S-SP-24ES	24F
TBC	BUDI-2S-SP-36ES	36F

## Packaging

**Packaging Quantity:** 1  
**Packaging Type:** Box | Carton

This document is intended as a guide only. Whilst the information it contains is believed to be correct, Emtelle can take no responsibility for actions taken based on the information contained in this document. Emtelle reserves the right to make changes to this document without notice. All sales of product are subject to Emtelle's terms and conditions of sale only, which can be found on Emtelle's website.

This document is protected by copyright (c) Emtelle Group [2021]. The products depicted are protected by intellectual property rights. Any unauthorized copying of this document or of our products is prohibited and Emtelle UK Limited will take action to prevent any infringement of its rights and to claim damages for the loss that it suffers.