



FIST-EDSA

48-Drop FTTH Enclosure



Product Description

48-drop FTTH enclosure that enables faster and easier installation of direct buried cables and microducts. The FIST-EDSA features innovative sealing and cable retention for a range of cables, combined with proven gel seal technology and FIST fibre management hardware.

Features

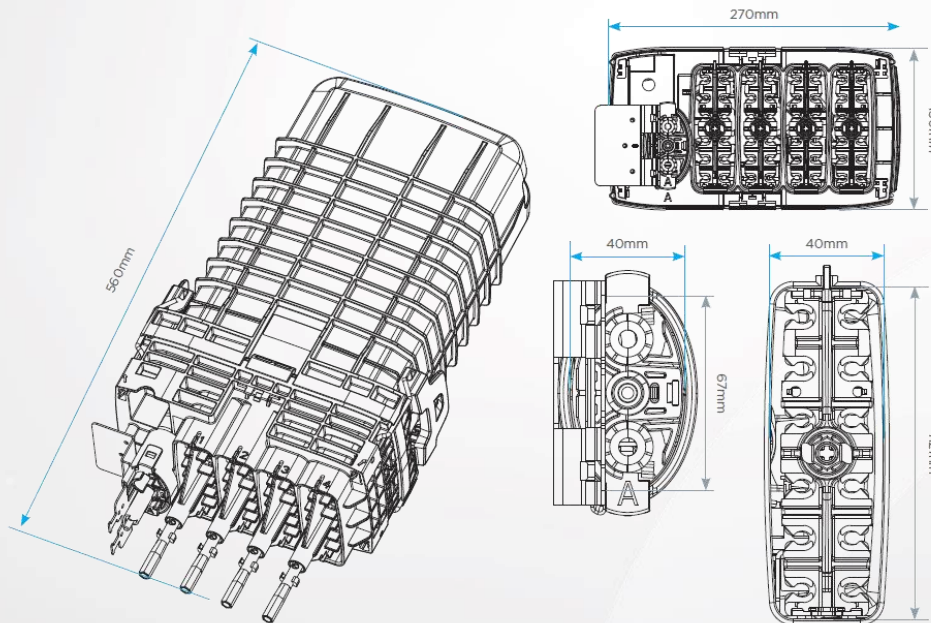
- Single-ended base and dome design with only two latches
- Four long oval-shaped gel-sealed drop ports for 12 drop cables each (maximum 48 drops)
- One oval shaped gel-sealed feeder port
- Feeder loop possibility
- Feeder cable diameter maximum 16mm
- Drop cable diameter range: 5-8mm
- Fast, easy, toolless installation
- Single-sided UMS (Universal Mounting System) frame allows mounting of FIST management grooveplates and trays
- Repair and upgrade possibility
- Intuitive identification
- Eliminates need for waterblock connectors
- New cable attachment design: toolless and wrap-around installation

This document is intended as a guide only. Whilst the information it contains is believed to be correct, Emtelle can take no responsibility for actions taken based on the information contained in this document. Emtelle reserves the right to make changes to this document without notice. All sales of product are subject to Emtelle's terms and conditions of sale only, which can be found on Emtelle's website.

This document is protected by copyright (c) Emtelle Group [2020]. The products depicted are protected by intellectual property rights. Any unauthorized copying of this document or of our products is prohibited and Emtelle UK Limited will take action to prevent any infringement of its rights and to claim damages for the loss that it suffers.

www.emtelle.com

Dimensions and Capacities



Ordering Information

Parameter	Dimensions in mm
Length	560
Width	270
Base	150

Port	Dimensions in mm
Drop Ports 1, 2, 3 and 4	112 x 40
Feeder port	67 x 40

Port	Diameter in mm
Feeder port (2 cables/ports)	
Minimum \varnothing	5
Maximum \varnothing	16
Drop ports (12 cables/port)	
Minimum \varnothing	5
Maximum \varnothing	8

Splice Capacity	Fibres	Trays
Single circuit splicing (2 primary coated fibres)	64	16
Single Element splicing (12 primary coated fibres)	96	8

This document is intended as a guide only. Whilst the information it contains is believed to be correct, Emtelle can take no responsibility for actions taken based on the information contained in this document. Emtelle reserves the right to make changes to this document without notice. All sales of product are subject to Emtelle's terms and conditions of sale only, which can be found on Emtelle's website.

This document is protected by copyright (c) Emtelle Group [2020]. The products depicted are protected by intellectual property rights. Any unauthorized copying of this document or of our products is prohibited and Emtelle UK Limited will take action to prevent any infringement of its rights and to claim damages for the loss that it suffers.