

UK DS GC02F



FIST GC02 F



Product Description

The FIST GC02-F is a generic environmentally sealed enclosure for the fibre management system that provides the functions of splice and passive component integration in the external network.

Application

Management and storage of spliced optical fibres. Suitable for FttX, Aerial, Underground and Directly Buried installations of fibre optical cables.

Features

The FIST-GC02-F has the following functions and features:

- Single-ended design
- Base and dome are sealed with latches and O-ring system
- 6 or 8 round ports for drop cables and 1 oval port for looped cable
- The single side UMS (Universal Mounting System) frame provide the foundation for mounting combinations of SOSA2 (Splice Only Sub-Assembly) and/or FSASA2 (Splitter Array Sub-Assembly) modules, which consist of a modular grooveplate and trays
- Compatible with most common cable types: e.g. loose tube, central core, ribbon fiber
- Uncut fibers can be stored as single circuits in trays and/or as cable elements in the storage space.

Design and Capacity

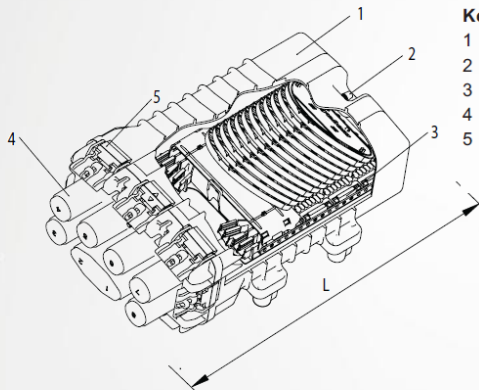
The FIST-GC02-F has the following functions and features (see page 2):

This document is intended as a guide only. Whilst the information it contains is believed to be correct, Emtelle can take no responsibility for actions taken based on the information contained in this document. Emtelle reserves the right to make changes to this document without notice. All sales of product are subject to Emtelle's terms and conditions of sale only, which can be found on Emtelle's website.

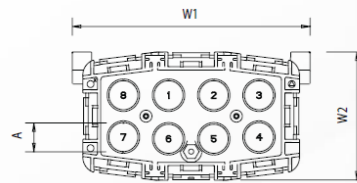
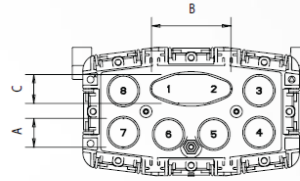
This document is protected by copyright (c) Emtelle UK Limited [2015]. The products depicted are protected by intellectual property rights. Any unauthorized copying of this document or of our products is prohibited and Emtelle UK Limited will take action to prevent any infringement of its rights and to claim damages for the loss that it suffers.

www.emtelle.com

UK DS GC02F



- Key**
- 1 Dome
 - 2 Optional Valve
 - 3 Wrap-around grooveplates
 - 4 Base
 - 5 Latch



Dimensions in mm	GC02-FC	GC02-FD
L	384	432
W1	279	279
W2	150	150
A	30	30
B	82	82
C	30	30

	Fibers	Trays	Fibers	Trays
Single circuit splicing capacity	32	16	48	24
Single element splicing capacity	96	8	144	12
R4/R8 Splicing capacity	64	8	96	12

Product Codes

Please refer to the table below to identify the closure required.

Dome Length	No. Trays	6 round / 1 oval	8 round / zero	Fibre Capacity
FC – 384mm	8x SE	71527	71528	96 Fibre splices
FD – 432mm	12x SE	70097	71529	144 Fibre splices

Accessories

The following accessories are not supplied with the closure:

1. Splice Trays
2. Port Seal Kits
3. Pressure relief valve
4. Grounding feed-through

This document is intended as a guide only. Whilst the information it contains is believed to be correct, Emteille can take no responsibility for actions taken based on the information contained in this document. Emteille reserves the right to make changes to this document without notice. All sales of product are subject to Emteille's terms and conditions of sale only, which can be found on Emteille's website.

This document is protected by copyright (c) Emteille UK Limited [2015]. The products depicted are protected by intellectual property rights. Any unauthorized copying of this document or of our products is prohibited and Emteille UK Limited will take action to prevent any infringement of its rights and to claim damages for the loss that it suffers.

www.emteille.com

UK DS GC02F

1) Splice Trays (required)

The following splice trays are available:

Product Code	Description	Data-Sheet
70722	2 Tray Module, Heat Shrink Type, Single Element (SE) 12F per tray	UK_DS_7975
7988	4 Tray Module, Heat Shrink Type, Single Element (SE) 12F per tray	UK_DS_7975
9581	4 Tray Module, ANT Crimp Type, Single Element (SE) 12F per tray	UK_DS_7975
7975	8 Tray Module, Heat Shrink Type, Single Circuit (SC) 4F per tray	UK_DS_7975

2) Port Seal Kits (required)

The following port seal kits are available:

Product Code	Description	Data-Sheet
7973	Oval Port Seal Kit, suitable for cables 12-25mm OD	UK_DS_7973
7974	Round Port Seal Kit, suitable for cables 5-30mm OD	UK_DS_7973

3) Pressure relief valve (optional)

Is not provided as standard.

4) Ground feed through (optional)

Is not provided as standard.

Packaging And Labelling

All products suitably packaged in recyclable materials and clearly labelled with Emtelle Product Code and Description where possible.

This document is intended as a guide only. Whilst the information it contains is believed to be correct, Emtelle can take no responsibility for actions taken based on the information contained in this document. Emtelle reserves the right to make changes to this document without notice. All sales of product are subject to Emtelle's terms and conditions of sale only, which can be found on Emtelle's website.

This document is protected by copyright (c) Emtelle UK Limited [2015]. The products depicted are protected by intellectual property rights. Any unauthorized copying of this document or of our products is prohibited and Emtelle UK Limited will take action to prevent any infringement of its rights and to claim damages for the loss that it suffers.

www.emtelle.com