

## US\_DS\_77329

 FiberFlow™  
Emtelle FTTX Toby Box+

## Product Description

---

The Emtelle Toby Box+ is an underground storage box for housing Microducts and Splice enclosures. The Toby Box+ has a hinged lid, so that access can be made at any point in time. The Toby Box+ is located at the boundary to the customer during FTTX installations and is used as a demarcation point for FTTX 'Homes Passed' where the customer does not require an immediate FTTX connection or can be used as a future 'Maintenance point' similar to an access chamber. The Toby Box+ can be used to accommodate the end of a microduct (sealed) ready for future extension to the home, where a fiber is then blown along the total microduct length between the cabinet / splice enclosure and the home. The Toby Box+ can also be used for housing an IP65 or IP68 splice enclosure where the drop cable to the home can be spliced.

## Application

---

The Toby Box+ should be installed as close to the customer boundary / Pin Kerb as possible so that no further digging is required to access the customers property. The Toby Box+ should be installed with adequate backfill materials and should comply with local installation rules and guidance. The Lid should open towards the customer's home. Where possible, the Toby Box+ should be situated in a position where it can feed two homes from a central location (so 2 microducts can be installed into one Toby Box+). Each microduct should be sealed with an end cap. Optional metal washer can be installed into the lid of the Toby Box+, so it can be traced, should the pavement be resurfaced with the Toby Box+ beneath.

## UK DS\_77329

### Features

---

- ⊗ Used as a demarcation point to convert 'Homes Passed' to 'Homes Connected'
- ⊗ Accommodates Microduct & Duct sizes from 5mm to 54mm OD
- ⊗ Narrow Design for Narrow Trenching
- ⊗ Drainage holes in the base to prevent build-up of water / pooling
- ⊗ Capable of housing 2 x Emtelle EMU (termination boxes).
- ⊗ Ribbed vertically and horizontally for strength and to set the box into concrete
- ⊗ Wide opening lid to allow full access to the inside of the Toby Box+
- ⊗ The lid can be locked with one security screw (to be ordered separately)
- ⊗ The product is 100% recyclable

### Advantages

---

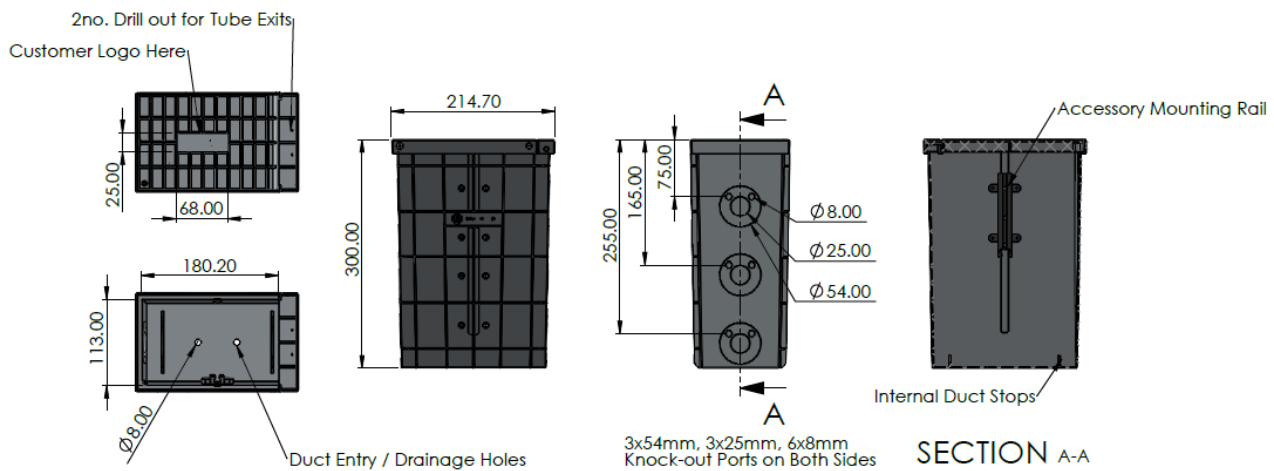
- ⊗ Small and easy to install
- ⊗ Space for fiber splicing and tube management
- ⊗ Low cost compared to small manholes
- ⊗ Lower installation cost
- ⊗ Easy access after installation and in the future
- ⊗ A maintenance point close to the customers premises
- ⊗ UV protected for European conditions
- ⊗ A visible point in the network
- ⊗ Advertising (on lid) of the operator to get a fiber connection

### Materials and Technical data

---

<b>Overall dimensions:</b>	214.70 x 130.00 x 300 (LxWxD).
<b>Clear Opening:</b>	165.0 x 113.0mm with lid open. 180.2 x 113.0 with lid fully removed.
<b>Material:</b>	Polypropylene.
<b>Loading Specifications:</b>	5kN as per BS5834 pt2 Grade C*
<b>Slip Resistance:</b>	Complies with BS5834 pt 2 Grade C
<b>Prising Slots:</b>	3no.
<b>Lid Impact:</b>	30J @ ambient temperature
<b>Colour:</b>	Black
<b>Badge:</b>	Emtelle or Customer Specific
<b>Weight:</b>	570g
<b>Traceability:</b>	Optional metal disc for traceability
<b>Duct/Cable diameters:</b>	5mm – 54mm
<b>Operating temperature:</b>	-45°C to 90°C
<b>Security:</b>	Can be closed with security screw

## UK DS\_77329



### Packaging and Labelling



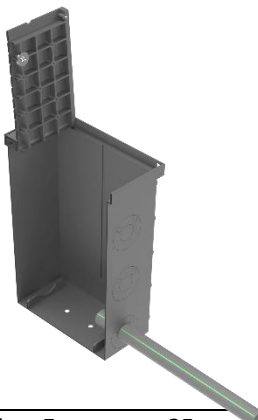

All products suitably packaged in recyclable materials and clearly labelled with Emtelle Product Code and description where possible. Standard packing quantity is 192pcs per pallet (optimised for 40ft trailer transportation).

\*For deliveries via container (Overseas Transport) packing QTY is 144pcs.

### Installation

- ⊗ Ensure Toby Box+ is installed to the correct depth to avoid creating a trip hazard.
- ⊗ The Toby Box+ should be sited as close to the customer boundary as possible (in correct orientation).
- ⊗ Ensure that the Toby Box+ is properly backfilled with an appropriate material, compacted and free of voids.







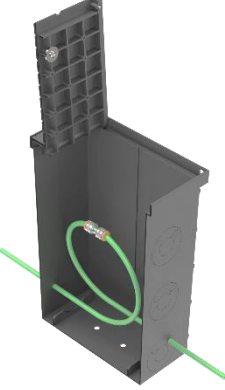

### Installation Examples

			
<p><b>Duct Entry up to 54mm</b> Capable of accepting up to 6no 54mm duct entries at varying depths of cover.</p>	<p><b>Duct Pass Through</b> With window cut – ideal for duct under slab scenarios</p>	<p><b>Subduct Entry up to 25mm</b> Capable of accepting up to 6no 25mm subduct entries at varying depths of cover.</p>	<p><b>Cable Reel Storage Add-On</b> Internal mounting track accommodates cable storage reel. (Optional extras)</p>

This document is intended as a guide only. Whilst the information it contains is believed to be correct, Emtelle can take no responsibility for actions taken based on the information contained in this document. Emtelle reserves the right to make changes to this document without notice. Purchase of Emtelle products does not convey any licence under patents or other intellectual property rights owned by third parties. All sales of product are subject to Emtelle's terms and conditions of sale only, which can be found on Emtelle's website. This document is protected by copyright (c) Emtelle Group [2021]. The products depicted are protected by intellectual property rights. Any unauthorized copying of this document or of our products is prohibited and Emtelle UK Limited will take action to prevent any infringement of its rights and to claim damages for the loss that it suffers.

[www.emtelle.com](http://www.emtelle.com)

## UK DS\_77329

			
<p><b>EMU Box Splice Box Add-On</b>                      Internal mounting track accommodates up to 2 Emtelle EMU box. (Optional extras).</p>	<p><b>EMU Box + Microduct</b>                      Large capacity allows for EMU box + microduct coil to complete future customer connection</p>	<p><b>Microduct Coil Storage</b>                      Capacity to hold up to 15m+ of 7mm microduct</p>	<p><b>Microduct Mini-Drum</b>                      Mini-Drum will accept up to 10m of 7mm or 15m of 6mm while still allowing space for the EMU box.</p>
			
<p><b>Capped Microduct</b>                      Homes passed, ready for future customer connection</p>	<p><b>EM-Marker</b>                      Precisely locate buried services up to 1.2m depth.</p>	<p><b>Microduct Passthrough</b>                      Front to back microduct connection via connector. Ideal for underground entries.</p>	<p><b>Microduct Passthrough</b>                      Front to top microduct connection via connector. Ideal for wall entries.</p>

## END OF SPECIFICATION

\*Testing carried out internally by Emtelle UK Ltd to BS EN 5834 pt2 specification, Annex A. See TR1045.

This document is intended as a guide only. Whilst the information it contains is believed to be correct, Emtelle can take no responsibility for actions taken based on the information contained in this document. Emtelle reserves the right to make changes to this document without notice. Purchase of Emtelle products does not convey any licence under patents or other intellectual property rights owned by third parties. All sales of product are subject to Emtelle's terms and conditions of sale only, which can be found on Emtelle's website. This document is protected by copyright (c) Emtelle Group [2021]. The products depicted are protected by intellectual property rights. Any unauthorized copying of this document or of our products is prohibited and Emtelle UK Limited will take action to prevent any infringement of its rights and to claim damages for the loss that it suffers.

[www.emtelle.com](http://www.emtelle.com)